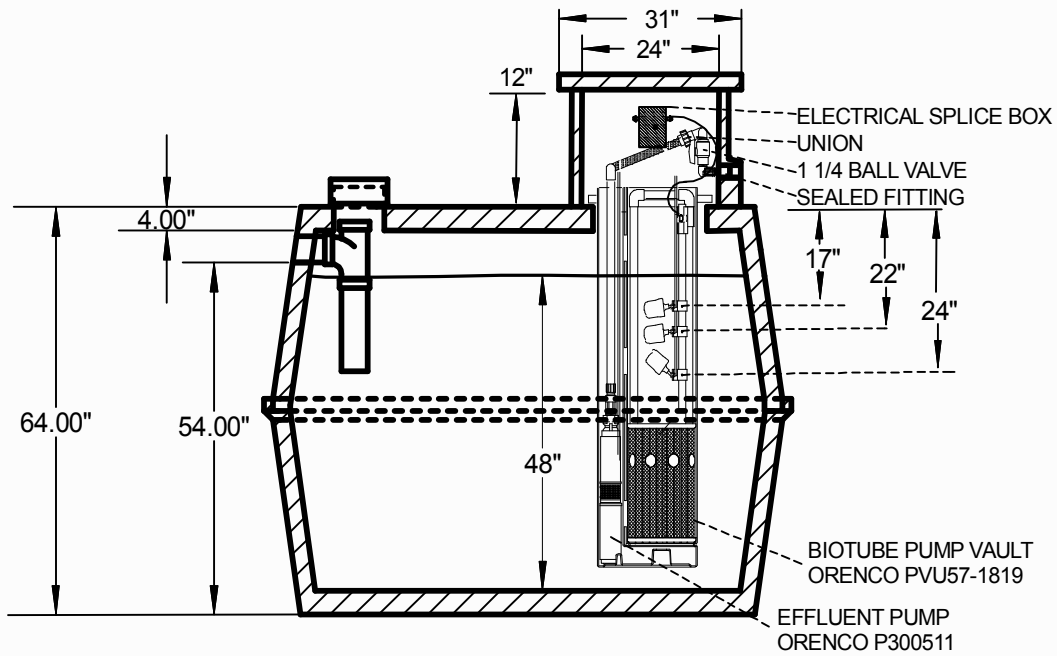


21 GALLONS PER INCH
304 GALLON RESERVE



1000 GALLON TWO PIECE DOSING TANK / HI HEAD PUMP / PVU57

EXCAVATION DIMENSIONS

(040108 WCP) 1033 1000 2P DT PVU57 AAA DF

GALLON CAPACITY	WIDTH OF HOLE	LENGTH OF HOLE	HEIGHT OF TANK	INLET TO BOTTOM*	TANK WEIGHT	
					TOP	BOTTOM
1000	7'	8.5'	64"	54"	4,300#	4,100#

*MEASUREMENT FROM THE BOTTOM OF THE TANK TO BOTTOM OF INLET HOLE

TANK INCLUDES: 12" RISER 31" DIAMETER X 2 1/2" THICK LID
4" ABS INLET COUPLER 8" DIAMETER CLEAN OUT PORT
2" PVC DISCHARGE COUPLER 3/4" PVC ELECTRICAL COUPLER